



E-GAZELA 4.0

820Wh



PHOTO **SOON**



Shimano EP8



250W 85Nm



820Wh



11 speed

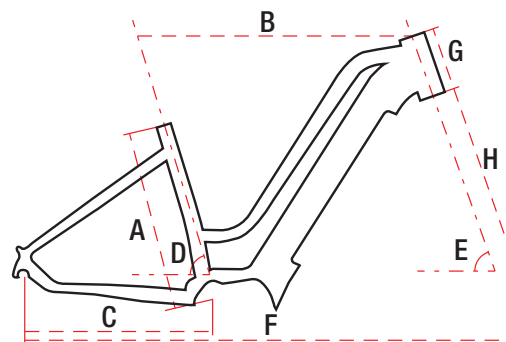
E-GAZELA 4.0 820Wh

Technical data

| | | | |
|---------------------|--|------------|--|
| MOTOR / PERFORMANCE | Shimano EP8 mid-mount, 250 Watt, 85Nm torq. sensor | TYRES | Michelin Protek 700×47C |
| CONTROL UNIT | display Shimano SC-E610 | RIMS | WTB ST I25 |
| BATTERY | 820Wh | FRONT HUB | Shimano MT400B 15mm/110mm |
| CHARGER | 4,5A | REAR HUB | Shimano MT400B 12mm/148mm |
| WHEEL SIZE / FRAME | 29" / alu 6061 | CASSETTE | Shimano Cues CS-LG400-11, 11-50T, 11 speed |
| SIZE | M – 17" / L – 19" | HANDLEBAR | RMT Comp. alu. 660mm, 31,8mm |
| FORK | Suntour NX1-32-BOOST-AIR-LO, 80mm, tapered | STEM | RMT alu. adj. 85mm/105mm Int. cable rout. 31,8mm |
| DAMPER | — | SEAT POST | aluminium suspension 30,9mm/300mm |
| DRIVETRAIN | 1×11 | GRIPS | Wittkop Medicus Ergo |
| FRONT SHIFTERS | — | SADDLE | Selle Royal ON |
| REAR SHIFTERS | Shimano Cues SL-U6000 11 speed | PEDALS | FP-972ZU aluminium |
| FRONT DERAILLEUR | — | FRONT LAMP | Satelite C13 |
| REAR DERAILLEUR | Shimano Cues RD-U6000 | REAR LAMP | Spanninga Pimento |
| CRANKSET | Shimano SM-CRE80-B 38T 170mm | WEIGHT | — |
| FRONT BRAKE | Shimano BL-MT401 hydraulic | COLOURS | plum |
| REAR BRAKE | Shimano BL-MT401 hydraulic | | |
| FRONT BRAKE DISC | Shimano SM-RT30 180mm | | |
| REAR BRAKE DISC | Shimano SM-RT30 180mm | | |

Geometry

| | M | L |
|----------------------|---------|---------|
| Tyre size | 28" | 28" |
| A - frame size | 432 mm | 483 mm |
| B - top tube length | 607 mm | 625 mm |
| C - chainstay length | 480 mm | 480 mm |
| D - seat tube angle | 74° | 74° |
| E - head tube angle | 70,5° | 70,5° |
| F - wheel base | 1179 mm | 1179 mm |
| G - head tube length | 150 mm | 160 mm |
| H - fork length | 508 mm | 508 mm |
| Stack | 663 mm | 673 mm |
| Reach | 423 mm | 438 mm |
| Standover height | 573 mm | 573 mm |
| Maximum tyre size | 2.00" | 2.00" |





E-GAZELA 3.0

725Wh / 540Wh



 navy blue



Bafang M200



250W 65Nm



725Wh / 540Wh



9 speed

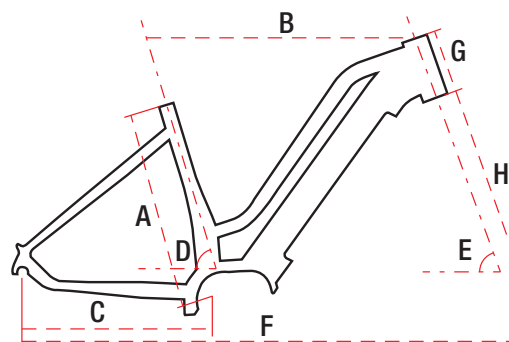
E-GAZELA 3.0 725Wh / 540Wh

Technical data

| | | | |
|---------------------|--|------------|--|
| MOTOR / PERFORMANCE | Bafang M200 mid-mount, 250 Watt, 65Nm torq. sensor | TYRES | Michelin Protek 700×47C |
| CONTROL UNIT | display IPS B02C | RIMS | aluminium doublewall RMT Components |
| BATTERY | 725Wh / 540Wh | FRONT HUB | aluminium 15mm/110mm |
| CHARGER | 4,5A | REAR HUB | aluminium |
| WHEEL SIZE / FRAME | 29" / alu 6061 | CASSETTE | Shimano Cues CS-LG300-9, 11-41T, 9 speed |
| SIZE | M – 17" / L – 19" | HANDLEBAR | RMT Comp. alu. 660mm, 31,8mm |
| FORK | Suntour NVX32-Boost-NLO-DS, 80mm, tapered | STEM | RMT alu. adj. 85mm/105mm Int. cable rout. 31,8mm |
| DAMPER | — | SEAT POST | aluminium suspension 30,9mm/300mm |
| DRIVETRAIN | 1×9 | GRIPS | Wittkop Medicus Ergo |
| FRONT SHIFTERS | — | SADDLE | Selle Royal Essenza |
| REAR SHIFTERS | Shimano Cues SL-U4010 9 speed | PEDALS | FP-831ZU |
| FRONT DERAILLEUR | — | FRONT LAMP | Satelite C13 |
| REAR DERAILLEUR | Shimano Cues RD-U4000 | REAR LAMP | Spanninga Pimento |
| CRANKSET | Prowheel 38T 170mm | WEIGHT | 27 kg / — |
| FRONT BRAKE | Shimano BL-MT200 hydraulic | COLOURS | navy blue |
| REAR BRAKE | Shimano BL-MT200 hydraulic | | |
| FRONT BRAKE DISC | 180mm | | |
| REAR BRAKE DISC | 160mm | | |

Geometry

| | M | L |
|----------------------|---------|---------|
| Tyre size | 28" | 28" |
| A - frame size | 432 mm | 483 mm |
| B - top tube length | 600 mm | 625 mm |
| C - chainstay length | 478 mm | 478 mm |
| D - seat tube angle | 68° | 68° |
| E - head tube angle | 70° | 71° |
| F - wheel base | 1131 mm | 1186 mm |
| G - head tube length | 150 mm | 160 mm |
| H - fork length | 509 mm | 509 mm |
| Stack | 663 mm | 673 mm |
| Reach | 395 mm | 417 mm |
| Standover height | 587 mm | 584 mm |
| Maximum tyre size | 2.00" | 2.00" |





E-GAZELA 2.0

504Wh



beige-gray



silver



Bafang G020



250W 45Nm



504Wh



9 speed

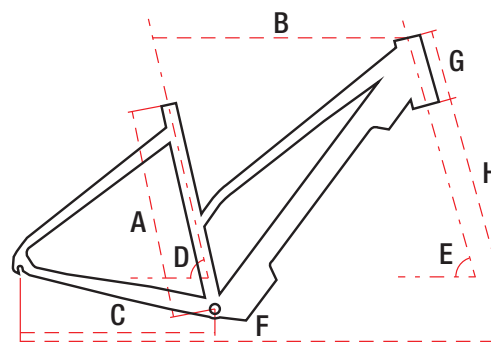
E-GAZELA 2.0 504Wh

Technical data

| | | | |
|---------------------|---|------------|--|
| MOTOR / PERFORMANCE | Bafang G020 rear wheel, 250 Watt, 45Nm torq. sensor | TYRES | VeeTire Zilent 700×47C |
| CONTROL UNIT | display Bafang DP C220 CAN | RIMS | aluminium doublewall RMT Components |
| BATTERY | 504Wh | FRONT HUB | aluminium |
| CHARGER | 2A | REAR HUB | — |
| WHEEL SIZE / FRAME | 29" / alu 6061 | CASSETTE | Shimano Cues CS-LG300-9, 11-41T, 9 speed |
| SIZE | M – 17" / L – 19" | HANDLEBAR | RMT Comp. alu. 660mm, 31,8mm |
| FORK | Suntour NEX-E25-LO-DS, 75mm, tapered | STEM | RMT alu. adj. 85mm/105mm Int. cable rout. 31,8mm |
| DAMPER | — | SEAT POST | aluminium suspension 30,9mm/300mm |
| DRIVETRAIN | 1×9 | GRIPS | Wittkop Medicus Ergo |
| FRONT SHIFTERS | — | SADDLE | Selle Royal Essenza |
| REAR SHIFTERS | Shimano Cues SL-U4010 9 speed | PEDALS | FP-872ZU |
| FRONT DERAILLEUR | — | FRONT LAMP | Satelite C9 |
| REAR DERAILLEUR | Shimano Cues RD-U4000 | REAR LAMP | Buchel Edge |
| CRANKSET | Prowheel 38T 170mm | WEIGHT | 25,1 kg |
| FRONT BRAKE | Shimano BL-MT200 hydraulic | COLOURS | silver, beige-gray |
| REAR BRAKE | Shimano BL-MT200 hydraulic | | |
| FRONT BRAKE DISC | 160mm | | |
| REAR BRAKE DISC | 160mm | | |

Geometry

| | M | L |
|----------------------|---------|---------|
| Tyre size | 28" | 28" |
| A - frame size | 432 mm | 483 mm |
| B - top tube length | 588 mm | 613 mm |
| C - chainstay length | 460 mm | 460 mm |
| D - seat tube angle | 73° | 73° |
| E - head tube angle | 70° | 70° |
| F - wheel base | 1100 mm | 1126 mm |
| G - head tube length | 150 mm | 160 mm |
| H - fork length | 489 mm | 489 mm |
| Stack | 661 mm | 671 mm |
| Reach | 386 mm | 408 mm |
| Standover height | 657 mm | 657 mm |
| Maximum tyre size | 2.00" | 2.00" |





E-GAZELA 1.0

504Wh



sand



claret



Bafang G020



250W 45Nm



504Wh



8 speed

E-GAZELA 1.0 504Wh

Technical data

| | | | |
|---------------------|---|------------|--|
| MOTOR / PERFORMANCE | Bafang G020 rear wheel, 250 Watt, 45Nm speed sensor | TYRES | VeeTire Zilent 700x47C |
| CONTROL UNIT | display Bafang DP C220 CAN | RIMS | aluminium doublewall RMT Components |
| BATTERY | 504Wh | FRONT HUB | aluminium |
| CHARGER | 2A | REAR HUB | — |
| WHEEL SIZE / FRAME | 29" / alu 6061 | CASSETTE | Shimano HG31-8, 11-34T, 8 speed |
| SIZE | M – 17" / L – 19" | HANDLEBAR | RMT Comp. alu. 660mm, 31,8mm |
| FORK | Suntour NEX-E25-LO-DS, 75mm, tapered | STEM | RMT alu. adj. 85mm/105mm Int. cable rout. 31,8mm |
| DAMPER | — | SEAT POST | aluminium suspension 30,9mm/300mm |
| DRIVETRAIN | 1x8 | GRIPS | Wittkop Medicus Ergo |
| FRONT SHIFTERS | — | SADDLE | Selle Royal Essenza |
| REAR SHIFTERS | Shimano SL-M315-8R 8 speed | PEDALS | FP-872ZU |
| FRONT DERAILLEUR | — | FRONT LAMP | Satelite C9 |
| REAR DERAILLEUR | Shimano Acera RDM3020-8 | REAR LAMP | Buchel Edge |
| CRANKSET | Prowheel 38T 170mm | WEIGHT | 24,8 kg |
| FRONT BRAKE | Shimano BL-MT200 hydraulic | COLOURS | claret, sand |
| REAR BRAKE | Shimano BL-MT200 hydraulic | | |
| FRONT BRAKE DISC | 160mm | | |
| REAR BRAKE DISC | 160mm | | |

Geometry

| | M | L |
|----------------------|---------|---------|
| Tyre size | 28" | 28" |
| A - frame size | 432 mm | 483 mm |
| B - top tube length | 588 mm | 613 mm |
| C - chainstay length | 460 mm | 460 mm |
| D - seat tube angle | 73° | 73° |
| E - head tube angle | 70° | 70° |
| F - wheel base | 1100 mm | 1126 mm |
| G - head tube length | 150 mm | 160 mm |
| H - fork length | 489 mm | 489 mm |
| Stack | 661 mm | 671 mm |
| Reach | 386 mm | 408 mm |
| Standover height | 657 mm | 657 mm |
| Maximum tyre size | 2.00" | 2.00" |

