



E-ORKAN 3.0 D

820Wh



PHOTO SOON



Shimano EP8



250W 85Nm



820Wh



11 speed

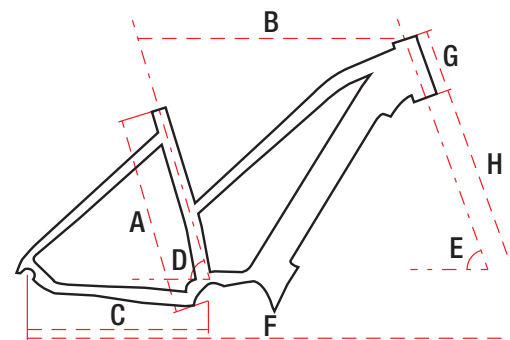
E-ORKAN 3.0 D 820Wh

Technical data

MOTOR / PERFORMANCE	Shimano EP8 mid-mount, 250 Watt, 85Nm torq. sensor	TYRES	Schwalbe G-One Bite 28" x 2.00"
CONTROL UNIT	display Shimano SC-EN610	RIMS	WTB ST-I25
BATTERY	820Wh	FRONT HUB	Shimano MT400B 15mm/110mm
CHARGER	4,5A	REAR HUB	Shimano MT400B 12mm/148mm
WHEEL SIZE / FRAME	28" / alu 6061	CASSETTE	Shimano Cues CS-LG400-11, 11-50T, 11 speed
SIZE	M – 17" / L – 19"	HANDLEBAR	RMT Comp. alu. 680mm, 31,8mm
FORK	Rock Shox Judy Silver TK AIR, 80mm, tapered	STEM	RMT alu. adj. 85mm/105mm Int. cable rout. 31,8mm
DAMPER	—	SEAT POST	RMT Comp. aluminium 30,9mm/350mm
DRIVETRAIN	1x11	GRIPS	Wittkop Medicus Sport
FRONT SHIFTERS	—	SADDLE	Selle Royal Vivo
REAR SHIFTERS	Shimano Cues SL-U6000 11 speed	PEDALS	FP-989ZU aluminium
FRONT DERAILLEUR	—	FRONT LAMP	—
REAR DERAILLEUR	Shimano Cues RD-U6000	REAR LAMP	—
CRANKSET	Shimano SM-CRE80-B 38T 170mm	WEIGHT	—
FRONT BRAKE	Shimano BL-MT4100 hydraulic	COLOURS	blue
REAR BRAKE	Shimano BL-MT4100 hydraulic		
FRONT BRAKE DISC	Shimano SM-RT30 180mm		
REAR BRAKE DISC	Shimano SM-RT30 180mm		

Geometry

	M	L
Tyre size	28"	28"
A - frame size	432 mm	483 mm
B - top tube length	613 mm	645 mm
C - chainstay length	460 mm	460 mm
D - seat tube angle	74°	73,1°
E - head tube angle	70°	70°
F - wheel base	1151 mm	1151 mm
G - head tube length	150 mm	160 mm
H - fork length	490 mm	490 mm
Stack	644 mm	653 mm
Reach	435 mm	431 mm
Standover height	711 mm	712 mm
Maximum tyre size	2.00"	2.00"





E-ORKAN 2.0 D

725Wh / 540Wh



PHOTO SOON



Bafang M200



250W 65Nm



725Wh / 540Wh



9 speed

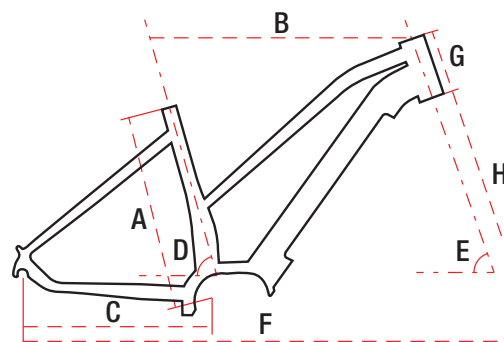
E-ORKAN 2.0 D 725Wh / 540Wh

Technical data

MOTOR / PERFORMANCE	Bafang M200 mid-mount 250 Watt, 65Nm torq. sensor	TYRES	Michelin Protek Cross 28"×1.75"
CONTROL UNIT	display IPS B02C	RIMS	aluminium doublewall RMT Components
BATTERY	725Wh / 540Wh	FRONT HUB	aluminium 15mm/110mm
CHARGER	4,5A	REAR HUB	aluminium
WHEEL SIZE / FRAME	28" / alu 6061	CASSETTE	Shimano Cues CS-LG300-9, 11-41T, 9 speed
SIZE	M – 17" / L – 19"	HANDLEBAR	RMT Comp. alu. 660mm/680mm, 31,8mm
FORK	Suntour NVX32-Boost-NLO-DS, 80mm, tapered	STEM	RMT alu. adj. 85mm/105mm Int. cable rout. 31,8mm
DAMPER	—	SEAT POST	RMT Components aluminium 30,9mm/350mm
DRIVETRAIN	1×9	GRIPS	Wittkop Medicus Sport
FRONT SHIFTERS	—	SADDLE	Selle Royal Vivo
REAR SHIFTERS	Shimano Cues SL-U4010 9 speed	PEDALS	FP-868ZU
FRONT DERAILLEUR	—	FRONT LAMP	—
REAR DERAILLEUR	Shimano Cues RD-U4000	REAR LAMP	—
CRANKSET	Prowheel 38T 170mm	WEIGHT	25,3 kg / —
FRONT BRAKE	Shimano BL-MT200 hydraulic	COLOURS	silver
REAR BRAKE	Shimano BL-MT200 hydraulic		
FRONT BRAKE DISC	180mm		
REAR BRAKE DISC	160mm		

Geometry

	M	L
Tyre size	28"	28"
A - frame size	432 mm	483 mm
B - top tube length	600 mm	625 mm
C - chainstay length	478 mm	478 mm
D - seat tube angle	74°	74°
E - head tube angle	70°	70°
F - wheel base	1159 mm	1185 mm
G - head tube length	150 mm	160 mm
H - fork length	499 mm	499 mm
Stack	653 mm	662 mm
Reach	416 mm	438 mm
Standover height	708 mm	709 mm
Maximum tyre size	2.00"	2.00"



E-CROSS

— S —
E-ORKAN 1.0 D
504Wh



● red ○ white



Bafang G020



250W 45Nm



504Wh



8 speed

E-ORKAN 1.0 D 504Wh

Technical data

MOTOR / PERFORMANCE	Bafang G020 rear wheel, 250 Watt, 45Nm speed sensor	TYRES	VeeTire Speedster 29"×1.95"
CONTROL UNIT	display Bafang DP C220 CAN	RIMS	aluminium doublewall RMT Components
BATTERY	504Wh	FRONT HUB	aluminium
CHARGER	2A	REAR HUB	—
WHEEL SIZE / FRAME	28" / alu 6061	CASSETTE	Shimano HG31-8, 11-34T, 8 speed
SIZE	M – 18" / L – 20"	HANDLEBAR	RMT Comp. alu. 680mm, 31,8mm
FORK	Suntour NEX-E25-LO-DS, 75mm, tapered	STEM	RMT alu. adj. 85mm/105mm Int. cable rout. 31,8mm
DAMPER	—	SEAT POST	RMT Components aluminium 30,9mm/350mm
DRIVETRAIN	1×8	GRIPS	Wittkop Medicus Sport
FRONT SHIFTERS	—	SADDLE	Vader 1138
REAR SHIFTERS	Shimano SL-M315-8R 8 speed	PEDALS	FP-803
FRONT DERAILLEUR	—	FRONT LAMP	—
REAR DERAILLEUR	Shimano Acera RDM3020-8	REAR LAMP	—
CRANKSET	Prowheel 38T 170mm	WEIGHT	23,2 kg
FRONT BRAKE	Shimano BL-MT200 hydraulic	COLOURS	white, red
REAR BRAKE	Shimano BL-MT200 hydraulic		
FRONT BRAKE DISC	160mm		
REAR BRAKE DISC	160mm		

Geometry

	M	L
Tyre size	28"	28"
A - frame size	432 mm	483 mm
B - top tube length	588 mm	613 mm
C - chainstay length	460 mm	460 mm
D - seat tube angle	73°	73°
E - head tube angle	70°	70°
F - wheel base	1100 mm	1126 mm
G - head tube length	150 mm	160 mm
H - fork length	489 mm	489 mm
Stack	661 mm	671 mm
Reach	386 mm	408 mm
Standover height	642 mm	657 mm
Maximum tyre size	2.00"	2.00"

