



# E-ORKAN 3.0 M

820Wh



PHOTO SOON



Shimano EP8



250W 85Nm



835Wh



11 speed

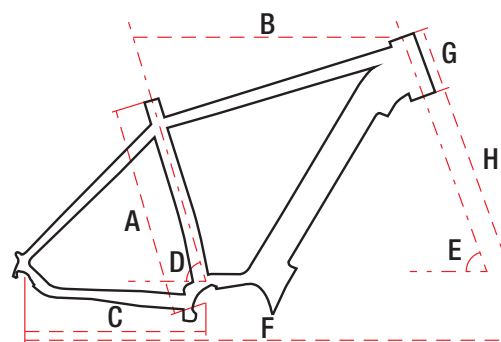
## E-ORKAN 3.0 M 820Wh

## Technical data

MOTOR / PERFORMANCE	Shimano EP8 mid-mount, 250 Watt, 85Nm torq. sensor	TYRES	Schwalbe G-One Bite 28"x2.00"
CONTROL UNIT	display Shimano SC-EN610	RIMS	WTB ST-I25
BATTERY	820Wh	FRONT HUB	Shimano MT400B 15mm/110mm
CHARGER	4,5A	REAR HUB	Shimano MT400B 12mm/148mm
WHEEL SIZE / FRAME	28" / alu 6061	CASSETTE	Shimano Cues CS-LG400-11, 11-50T, 11 speed
SIZE	M – 18" / L – 20"	HANDLEBAR	RMT Comp. alu. 660mm/680mm, 31,8mm
FORK	Rock Shox Judy Silver TK AIR, 80mm, tapered	STEM	RMT alu. adj. 85mm/105mm Int. cable rout. 31,8mm
DAMPER	—	SEAT POST	RMT Comp. aluminium 30,9mm/350mm
DRIVETRAIN	1x11	GRIPS	Wittkop Medicus Sport
FRONT SHIFTERS	—	SADDLE	Selle Royal Vivo
REAR SHIFTERS	Shimano Cues SL-U6000 11 speed	PEDALS	FP-989ZU aluminium
FRONT DERAILLEUR	—	FRONT LAMP	—
REAR DERAILLEUR	Shimano Cues RD-U6000	REAR LAMP	—
CRANKSET	Shimano SM-CRE80-B 38T 170mm	WEIGHT	—
FRONT BRAKE	Shimano BL-MT4100 hydraulic	COLOURS	silver
REAR BRAKE	Shimano BL-MT4100 hydraulic		
FRONT BRAKE DISC	Shimano SM-RT30 180mm		
REAR BRAKE DISC	Shimano SM-RT30 180mm		

## Geometry

	M	L
Tyre size	28"	28"
A - frame size	457 mm	508 mm
B - top tube length	615 mm	644 mm
C - chainstay length	460 mm	460 mm
D - seat tube angle	73,1°	73,1°
E - head tube angle	70°	70°
F - wheel base	1140 mm	1170 mm
G - head tube length	150 mm	160 mm
H - fork length	490 mm	490 mm
Stack	644 mm	653 mm
Reach	424 mm	456 mm
Standover height	798 mm	829 mm
Maximum tyre size	2.00"	2.00"





# E-ORKAN 2.0 M

725Wh / 540Wh



 silver



Bafang M200



250W 65Nm



725Wh / 540Wh



9 speed

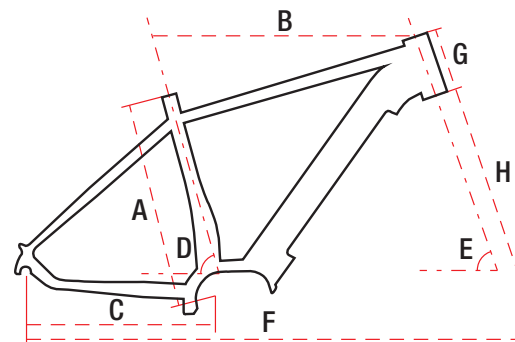
E-ORKAN 2.0 M 725Wh / 540Wh

## Technical data

MOTOR / PERFORMANCE	Bafang M200 mid-mount 250 Watt, 65Nm torq. sensor	TYRES	Michelin Protek Cross 28"×1.75"
CONTROL UNIT	display IPS B02C	RIMS	aluminium doublewall RMT Components
BATTERY	725Wh / 540Wh	FRONT HUB	aluminium 15mm/110mm
CHARGER	4,5A	REAR HUB	aluminium
WHEEL SIZE / FRAME	28" / alu 6061	CASSETTE	Shimano Cues CS-LG300-9, 11-41T, 9 speed
SIZE	M – 18" / L – 20"	HANDLEBAR	RMT Comp. alu. 660mm/680mm, 31,8mm
FORK	Suntour NVX32-Boost-NLO-DS, 80mm, tapered	STEM	RMT alu. adj. 85mm/105mm Int. cable rout. 31,8mm
DAMPER	—	SEAT POST	RMT Components aluminium 30,9mm/350mm
DRIVETRAIN	1×9	GRIPS	Wittkop Medicus Sport
FRONT SHIFTERS	—	SADDLE	Selle Royal Vivo
REAR SHIFTERS	Shimano Cues SL-U4010 9 speed	PEDALS	FP-868ZU
FRONT DERAILLEUR	—	FRONT LAMP	—
REAR DERAILLEUR	Shimano Cues RD-U4000	REAR LAMP	—
CRANKSET	Prowheel 38T 170mm	WEIGHT	25,3 kg / —
FRONT BRAKE	Shimano BL-MT200 hydraulic	COLOURS	silver
REAR BRAKE	Shimano BL-MT200 hydraulic		
FRONT BRAKE DISC	180mm		
REAR BRAKE DISC	160mm		

## Geometry

	M	L
Tyre size	28"	28"
A - frame size	457 mm	508 mm
B - top tube length	615 mm	647 mm
C - chainstay length	478 mm	478 mm
D - seat tube angle	74°	74°
E - head tube angle	70°	70°
F - wheel base	1167 mm	1204 mm
G - head tube length	150 mm	160 mm
H - fork length	499 mm	499 mm
Stack	653 mm	662 mm
Reach	429 mm	458 mm
Standover height	799 mm	828 mm
Maximum tyre size	2.00"	2.00"



E-CROSS

— S —  
**E-ORKAN 1.0 M**  
504Wh



● dark green ● orange



Bafang G020



250W 45Nm



504Wh



8 speed

## E-ORKAN 1.0 M 504Wh

## Technical data

MOTOR / PERFORMANCE	Bafang G020 rear wheel, 250 Watt, 45Nm speed sensor	TYRES	Veetire Speedster 29"×1.95"
CONTROL UNIT	display Bafang DP C220 CAN	RIMS	aluminium doublewall RMT Components
BATTERY	504Wh	FRONT HUB	aluminium
CHARGER	2A	REAR HUB	—
WHEEL SIZE / FRAME	28" / alu 6061	CASSETTE	Shimano HG31-8, 11-34T, 8 speed
SIZE	M – 18" / L – 20"	HANDLEBAR	RMT Comp. alu. 660mm/680mm, 31,8mm
FORK	Suntour NEX-E25-LO-DS, 75mm, tapered	STEM	RMT alu. adj. 85mm/105mm Int. cable rout. 31,8mm
DAMPER	—	SEAT POST	RMT Components aluminium 30,9mm/350mm
DRIVETRAIN	1×8	GRIPS	Wittkop Medicus Sport
FRONT SHIFTERS	—	SADDLE	Vader 1138
REAR SHIFTERS	Shimano SL-M315-8R 8 speed	PEDALS	FP-803
FRONT DERAILLEUR	—	FRONT LAMP	—
REAR DERAILLEUR	Shimano Acera RDM3020-8	REAR LAMP	—
CRANKSET	Prowheel 38T 170mm	WEIGHT	23,2 kg
FRONT BRAKE	Shimano BL-MT200 hydraulic	COLOURS	orange, dark green
REAR BRAKE	Shimano BL-MT200 hydraulic		
FRONT BRAKE DISC	160mm		
REAR BRAKE DISC	160mm		

## Geometry

	M	L
Tyre size	28"	28"
A - frame size	457 mm	508 mm
B - top tube length	600 mm	625 mm
C - chainstay length	460 mm	460 mm
D - seat tube angle	73°	73°
E - head tube angle	70°	70°
F - wheel base	1112 mm	1137 mm
G - head tube length	150 mm	160 mm
H - fork length	489 mm	489 mm
Stack	643 mm	656 mm
Reach	398 mm	420 mm
Standover height	785 mm	811 mm
Maximum tyre size	2.00"	2.00"

